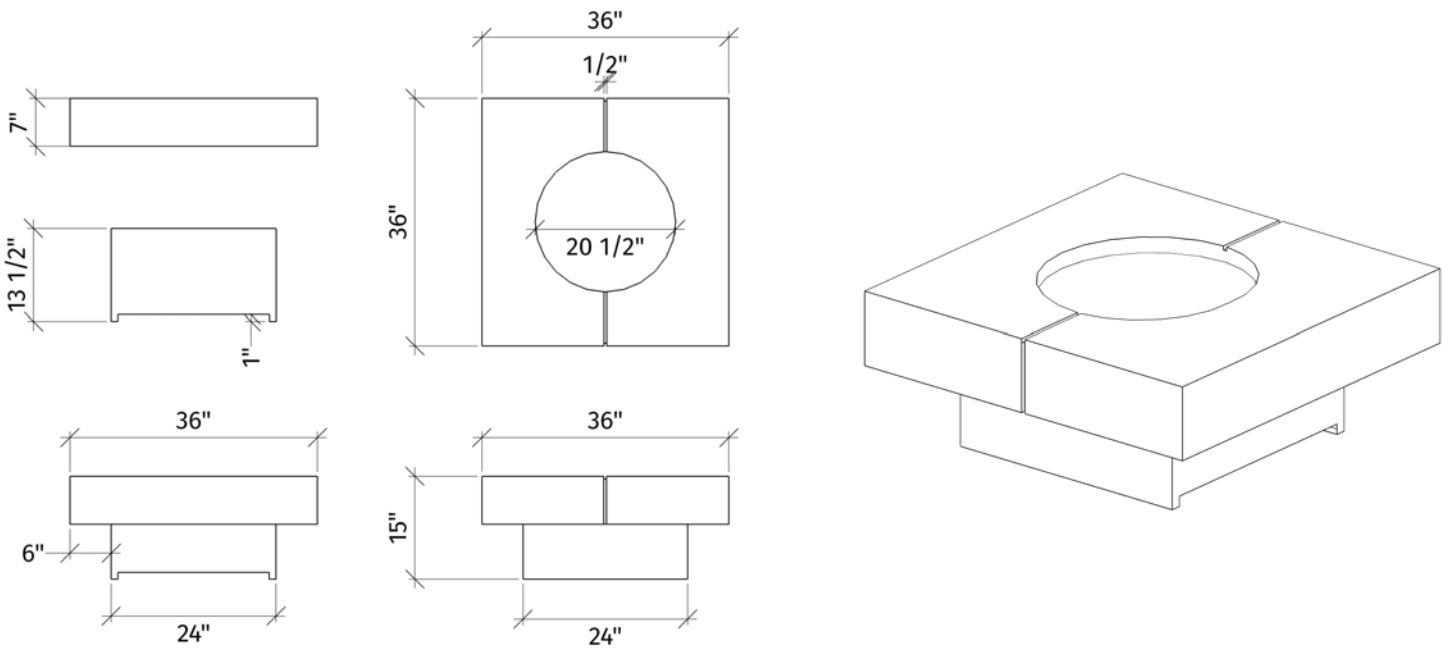


ELEMENT



DIMENSIONS



DEFINITELY CHIC



Versatile and dramatic, the **Element** firetable is a contemporary focal point.

This fire table offers room for entertainment and is still compact enough to work in smaller spaces.

ELEMENT PACKAGE INCLUDES:

CONCRETE FIREPIT TOP
CONCRETE FIREPIT BASE

MANUAL LIT
NG/LP BURNER

LAVA ROCK

Firepits ship fully sealed
Accessories available



Dreamcast
design and production

Please contact us at 1-604-278-4939 with any questions. Our experienced team can assist you with product information, installation and design recommendations. We also encourage you to explore our website at www.dreamcastfirepits.com