

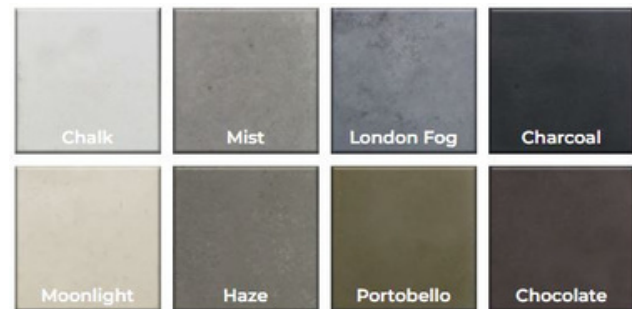


DRAMATIC FIRE

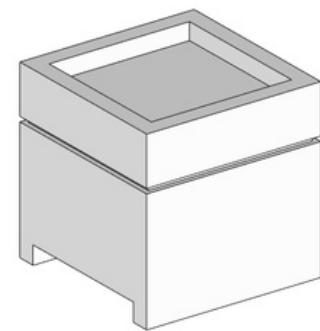
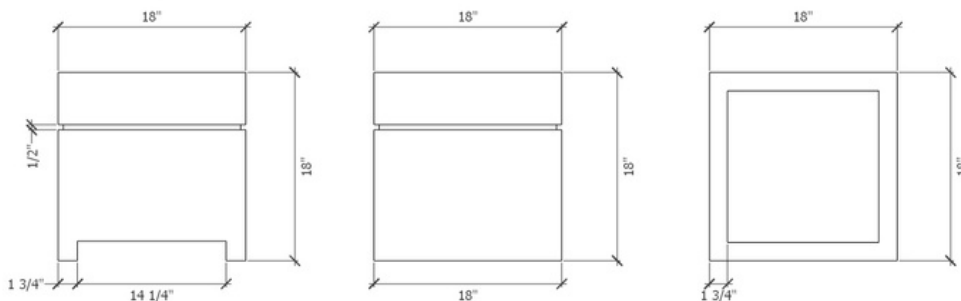
Combining classic with modern. The Cubo Fire Table is proportioned to fit into any outdoor living area. Its compact footprint allows you to make maximum use of space while still enjoying the powerful flame of our CrossFire burner.

Product Features/Specifications:

- Available only in 60K BTU
- Available for Liquid Propane or Natural Gas
- Available in 8 colors
- Complimentary Lava Rocks
- Other media available for purchase
- Manual Lit Ignition (available for upgrade to Electronic Ignition and Push Button Ignition - please contact for further information)
- Weight: 110 lbs.
- Overhead clearance should be a minimum of 120" and 36" horizontally from any combustible structure or materials



Dimensions



Min. and Max. Gas Inlet Pressures

The installer is responsible for using the correct fuel lines and/or regulation to provide gas to the fire feature within the specified minimum and maximum gas inlet pressures below:

Gas Inlet Pressures

| MATCH LIGHT | Minimum | Maximum |
|----------------|----------------------------|----------------------------|
| Natural Gas | 3.5" W.C. (.8718 Kpa) | 7.0" W.C. (1.7436 Kpa) |
| Liquid Propane | 11.0" W.C. (2.7399 Kpa) | 13.0" W.C. (3.2381 Kpa) |