

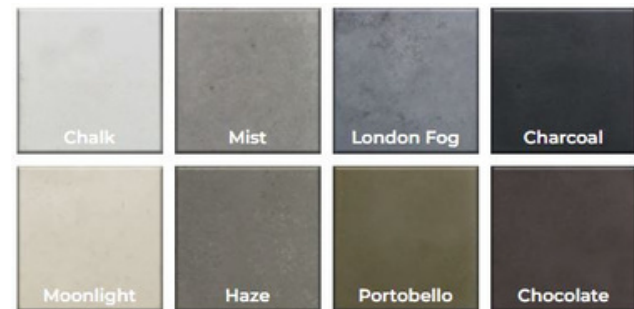


DEFINITELY CHIC

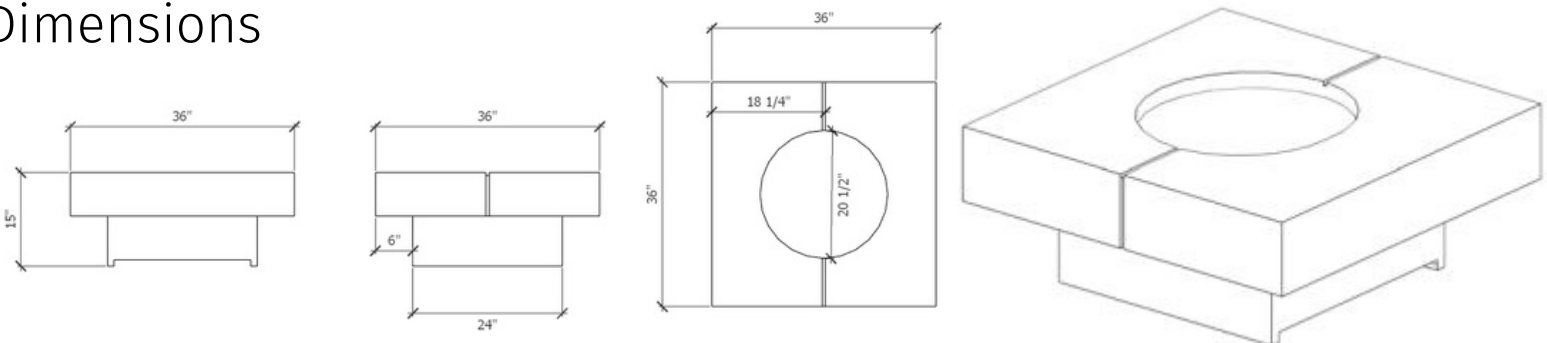
Warm up your days with this versatile firepit. Featuring ample table space for greater functionality.

Product Features/Specifications:

- Available only in 60K BTU
- Available for Liquid Propane or Natural Gas
- Available in 8 colors
- Complimentary Lava Rocks
- Other media available for purchase
- Manual Lit Ignition (available for upgrade to Electronic Ignition and Push Button Ignition - please contact for further information)
- Weight: 198 lbs.
- Overhead clearance should be a minimum of 120" and 36" horizontally from any combustible structure or materials



Dimensions



Min. and Max. Gas Inlet Pressures

The installer is responsible for using the correct fuel lines and/or regulation to provide gas to the fire feature within the specified minimum and maximum gas inlet pressures below:

Gas Inlet Pressures

| MATCH LIGHT | Minimum | Maximum |
|----------------|----------------------------|----------------------------|
| Natural Gas | 3.5" W.C. (.8718 Kpa) | 7.0" W.C. (1.7436 Kpa) |
| Liquid Propane | 11.0" W.C. (2.7399 Kpa) | 13.0" W.C. (3.2381 Kpa) |