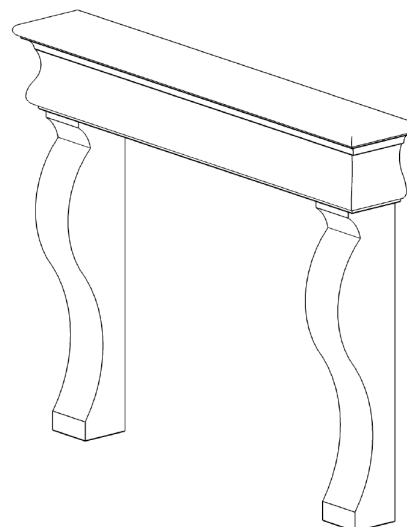
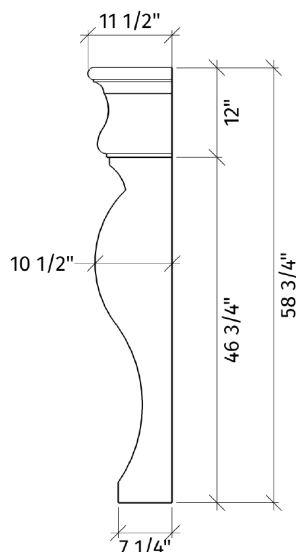
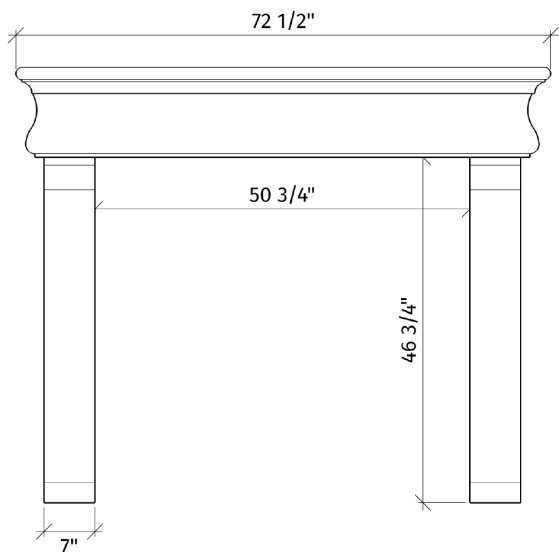


Tuscany



INFILL PANELS: 2pcs 12" x 45", 1pcs 18" x 51

Refined. Graceful.



With luxurious curves the Tuscany mantel exemplifies dignified interiors of ageless style.

Keeping to the foundation of the design without opulence this mantel complements both classical refinement and more textural modern aesthetics.

Tuscany

PACKAGE

INCLUDES:

- concrete mantel, undermantel, legs
- concrete infill panels
- colour-matched caulking

Surrounds ship pre-sealed

DreamCast
Design & Production

Please contact us at **1-604-278-4939** with any questions.

We also encourage you to explore our website at **www.dreamcastdesign.com**

Our experienced team can assist you with product information, installation and design recommendations.