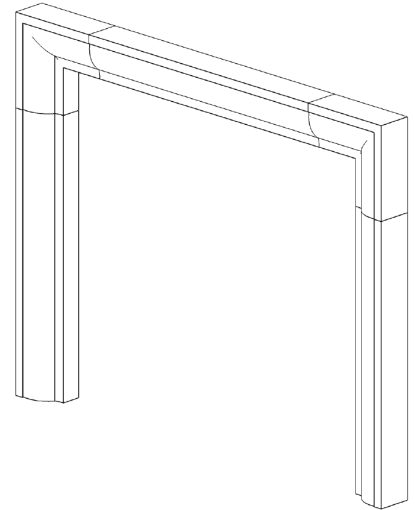
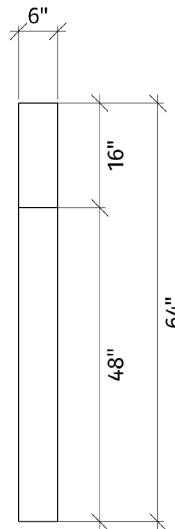
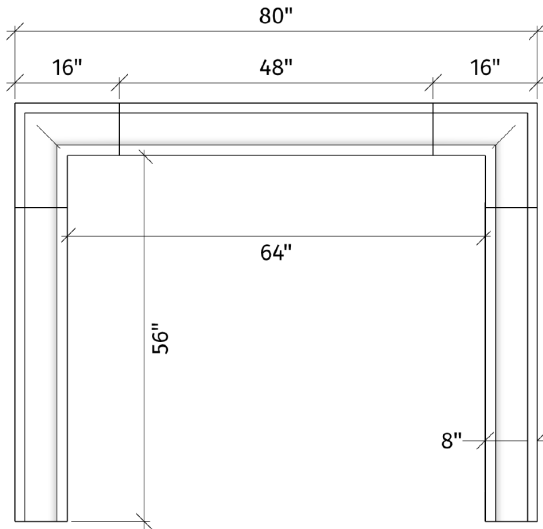


# Bowen

three sided



INFILL PANELS: 2pcs 12" x 45", 1pcs 18" x 64"

*Transitional. Clean.*



Blending the soft curves of classic architecture with a bold picture frame approach the **Bowen mantel** design easily works into many interior styles.

## Bowen

PACKAGE  
INCLUDES:

- Concrete mantel, corners, legs
- Concrete infill panels
- Colour-matched caulking

*Surrounds ship pre-sealed*

**DreamCast**  
Design & Production

Please contact us at **1-604-278-4939** with any questions.

We also encourage you to explore our website at [www.dreamcastdesign.com](http://www.dreamcastdesign.com)

Our experienced team can assist you with product information, installation and design recommendations.