

DreamCast

Lotus 45

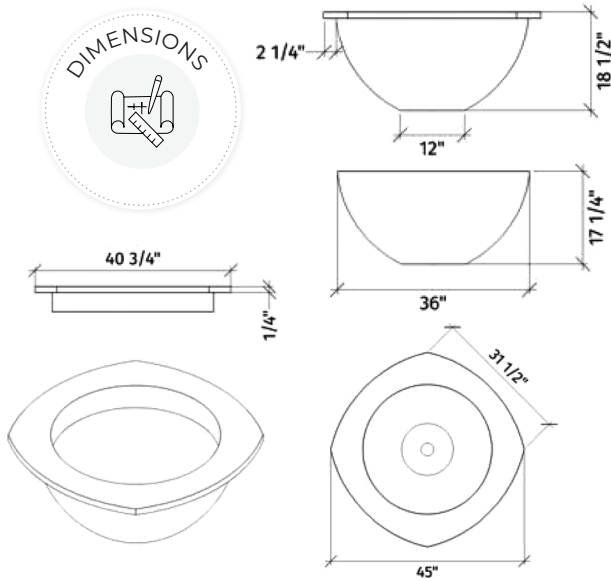


MAXIMUM IMPACT

Warm up those chilly nights with this modern rounded fire bowl. Simplicity at it's finest. Each fire bowl is complete with a 6" sculpted rim for greater functionality.

Product Features/ Specifications:

- 120K BTU
- Liquid Propane or Natural Gas
- Complimentary Lava Rocks
- Other media available for purchase
- Manual Lit Ignition (available for upgrade to Electronic Ignition - please contact for further information)
- Metal Table Top
- Weight: 264 lbs.
- Overhead clearance: 84" - 120" (depending on burner) and 36" horizontally to combustibles.



Min. and Max. Gas Inlet Pressures:

The installer is responsible for using the correct fuel lines and/or regulation to provide gas to the fire feature within the specified minimum and maximum gas inlet pressures.

Gas Inlet Pressures

MATCH LIGHT	Minimum	Maximum
Natural Gas	3.5" W.C. (.8718 Kpa)	7.0" W.C. (1.7436 Kpa)
Liquid Propane	11.0" W.C. (2.7399 Kpa)	13.0" W.C. (3.2381 Kpa)



DreamCast
Design & Production

Please contact us at **1-604-278-4939** with any questions. We also encourage you to explore our website at www.dreamcastdesign.com

Our experienced team can assist you with product information, installation and design recommendations.