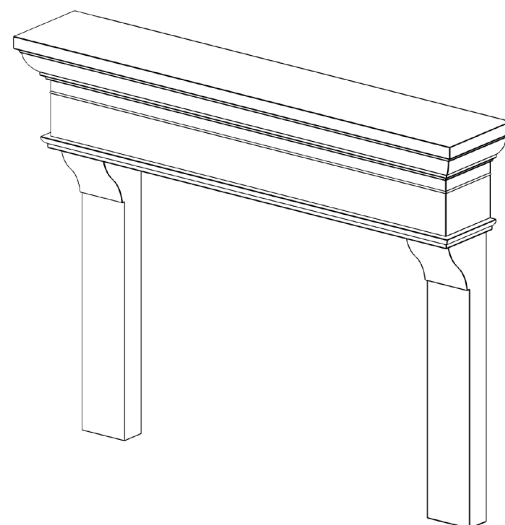
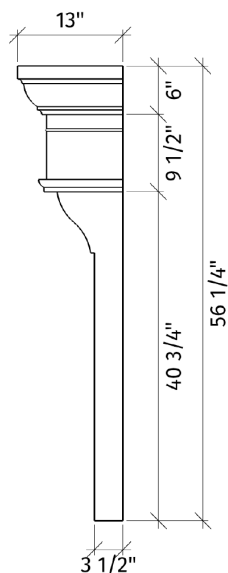
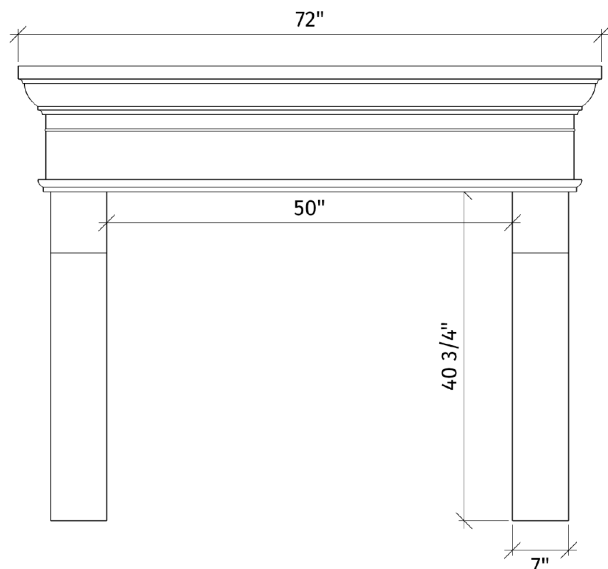


DIMENSIONS



# Torino



INFILL PANELS: 2pcs 12" x 45", 1pcs 18" x 50"

Contemporary. Classic.



The **Torino Mantel** is the perfect blend of traditional mantel charm with the clean lines of contemporary design.

*The streamlined design stays faithful to the classic mantel flare without adding fuss, and leaves plenty of space for impressive feature fires.*

## Torino

PACKAGE

INCLUDES:

- concrete mantel, undermantel, legs
- concrete infill panels
- colour-matched caulking
- surrounds ship pre-sealed

*Surrounds ship pre-sealed*

**DreamCast**  
Design & Production

Please contact us at **1-604-278-4939** with any questions.

We also encourage you to explore our website at [www.dreamcastdesign.com](http://www.dreamcastdesign.com)

Our experienced team can assist you with product information, installation and design recommendations.