

# DreamCast

## Lotus 45

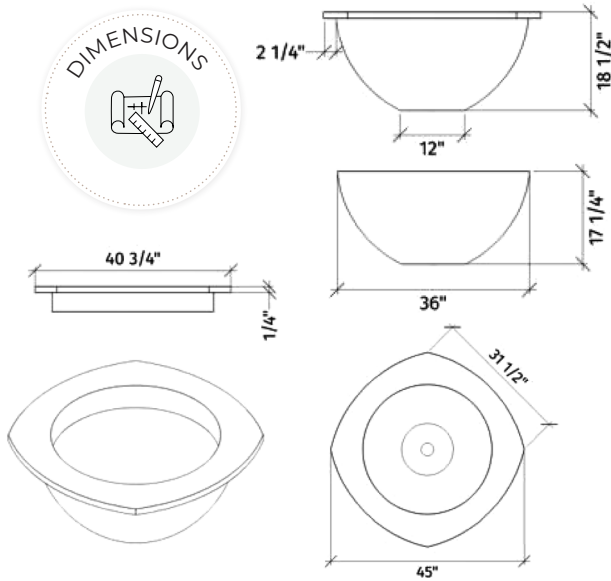


## MAXIMUM IMPACT

Warm up those chilly nights with this modern rounded fire bowl. Simplicity at it's finest. Each fire bowl is complete with a 6" sculpted rim for greater functionality.

### Product Features/ Specifications:

- 120K BTU
- Liquid Propane or Natural Gas
- Complimentary Lava Rocks
- Other media available for purchase
- Manual Lit Ignition (available for upgrade to Electronic Ignition - please contact for further information)
- Weight: 264 lbs.
- Overhead clearance: 84" - 120" (depending on burner) and 36" horizontally to combustibles.



### Min. and Max. Gas Inlet Pressures:

The installer is responsible for using the correct fuel lines and/or regulation to provide gas to the fire feature within the specified minimum and maximum gas inlet pressures.

### Gas Inlet Pressures

Match Light	Minimum	Maximum
Natural Gas	3.5" W.C. (.8718Kpa)	7.0" W.C. (1.7436Kpa)
Liquid Propane	11.0" W.C. (2.7399 Kpa)	13.0" W.C. (3.2381 Kpa)



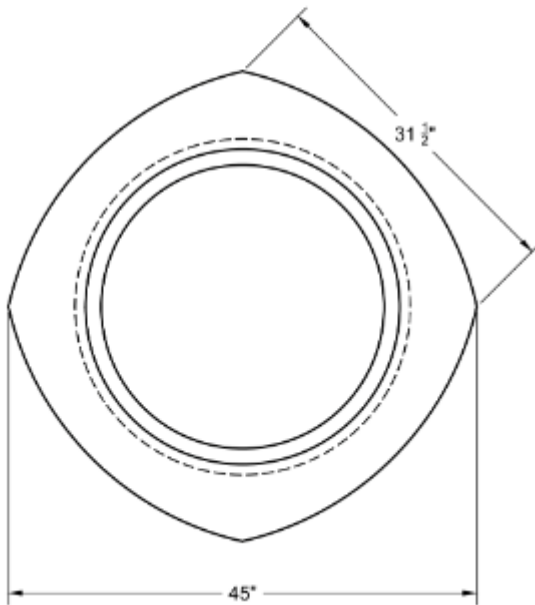
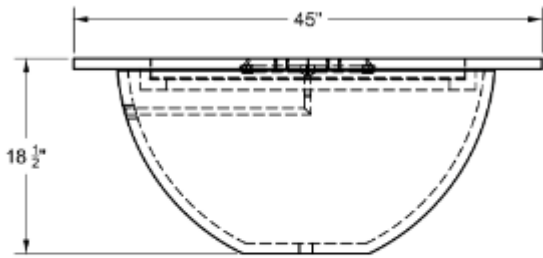
**DreamCast**  
Design & Production

Please contact us at **1-604-278-4939** with any questions. We also encourage you to explore our website at [www.dreamcastdesign.com](http://www.dreamcastdesign.com)

Our experienced team can assist you with product information, installation and design recommendations.

# Lotus 45

# DreamCast



Warm up your days with this versatile aura fire bowl. Complete with an 8" rim for greater functionality this stunning fire bowl adds warmth and ambience to any outdoor space. Warm up your days with this versatile aura fire bowl. Complete with an 8" rim for greater functionality this stunning fire bowl adds warmth and ambience to any outdoor space.

**DreamCast**  
Design & Production

Please contact us at **1-604-278-4939** with any questions. We also encourage you to explore our website at **[www.dreamcastdesign.com](http://www.dreamcastdesign.com)**

Our experienced team can assist you with product information, installation and design recommendations.