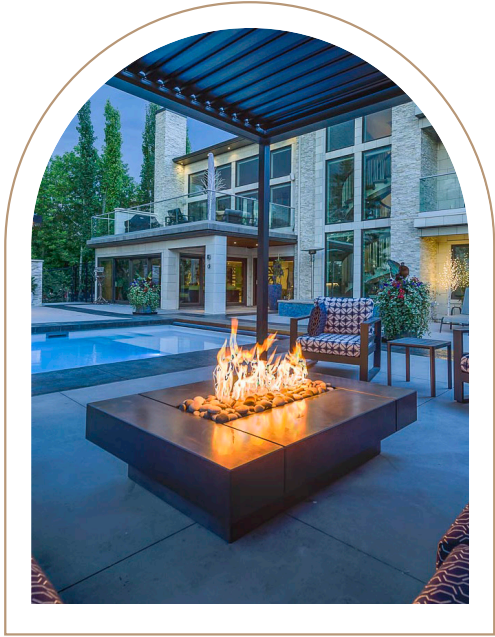


DreamCast Quadra 48

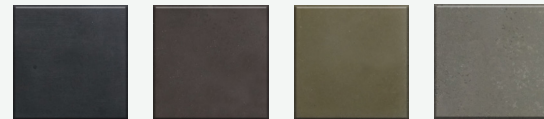
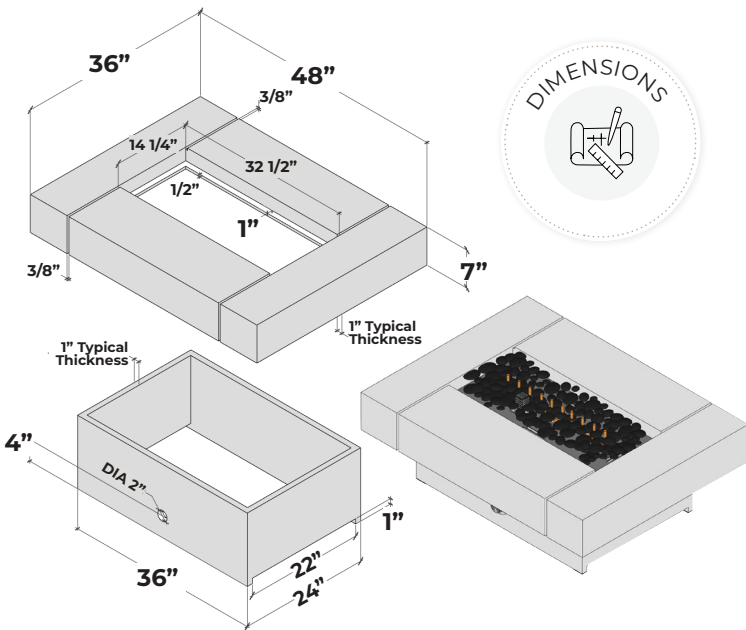
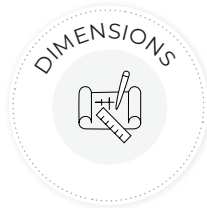


STYLISHLY FUNCTIONAL

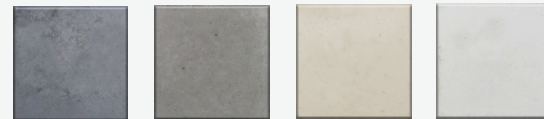
Our **Quadra** Fire Tables is a stunning addition to any outdoor living area. One of our most popular designs providing both ample table space for entertainment and cozy ambiance this fire table is available in 3 sizes.

Product Features/ Specifications:

- 155K BTU Natural Gas
- 135K BTU Liquid Propane
- Complimentary Lava Rocks
- Other media available for purchase
- Pilot Lit Ignition (available for upgrade to Electronic Ignition - please contact for further information)
- Weight: 308 lbs.
- Overhead clearance: None + 36" horizontally to combustibles.
- Not compatible w/portable Propane Systems
- Low clearance model available



CHARCOAL CHOCOLATE PORTOBELLO HAZE



LONDON FOG MIST MOONLIGHT CHALK



CAPPUCCINO MOCHA

Min. and Max. Gas Inlet Pressures:

The installer is responsible for using the correct fuel lines and/or regulation to provide gas to the fire feature within the specified minimum and maximum gas inlet pressures.

Refer to installation manual for further information

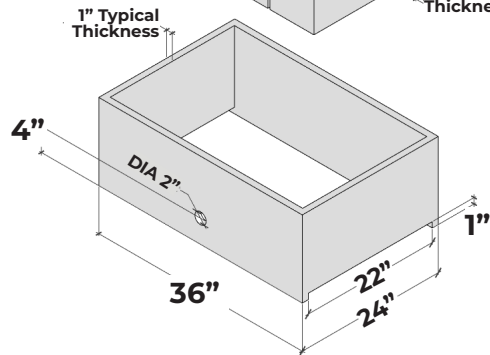
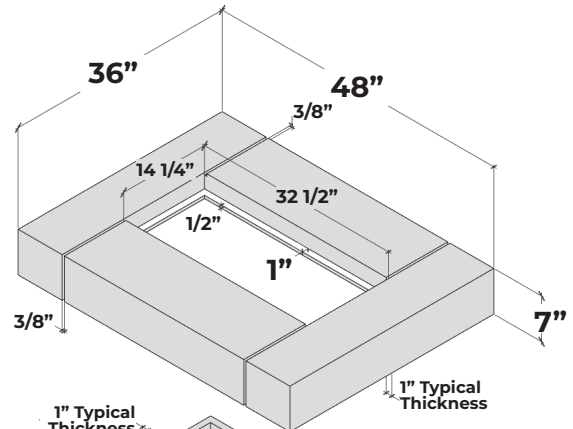
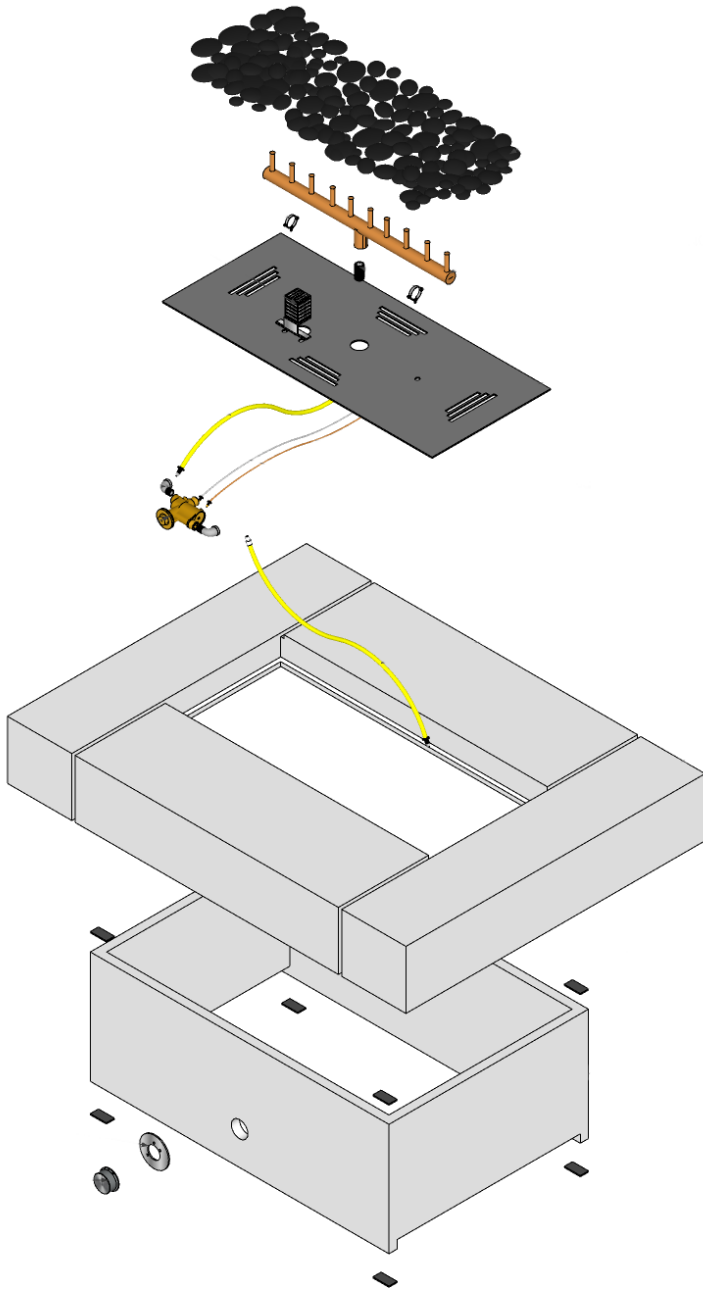
Gas Inlet Pressures

Match Light	Minimum	Maximum
Natural Gas	7.0" W.C. (1.7436 Kpa)	10.0" W.C. (2.4884 Kpa)
Liquid Propane	11.0" W.C. (2.7399 Kpa)	13.0" W.C. (3.2381 Kpa)



Quadra 48

DreamCast



Designed to enhance outdoor entertainment areas the highly expressive Quadra Firetable helps define the modern patio.

DreamCast
Design & Production

Please contact us at **1-604-278-4939** with any questions. We also encourage you to explore our website at **www.dreamcastdesign.com**

Our experienced team can assist you with product information, installation and design recommendations.