

DreamCast Aura 48

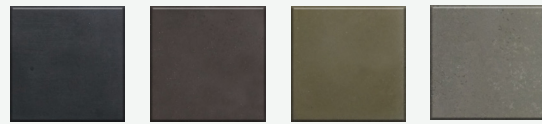
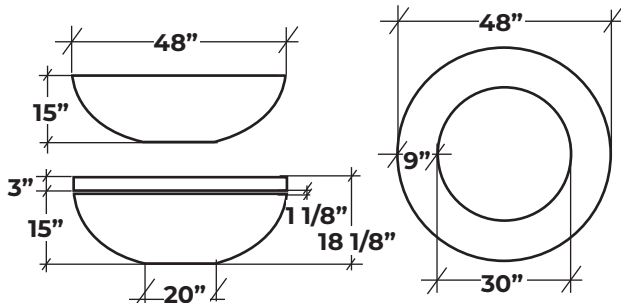
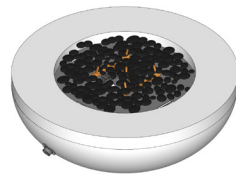
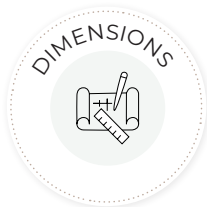


PASSION FOR PERFECTION

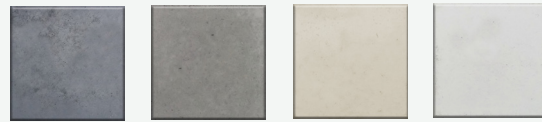
Warm up your days with this versatile Aura fire bowl. Complete with an 9" rim for greater functionality this stunning fire bowl adds warmth and ambience to any outdoor space.

Product Features/Specifications:

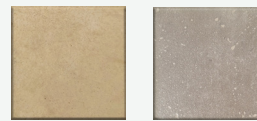
- 85K BTU or 165K BTU (Depending on model)
- Liquid Propane or Natural Gas
- Complimentary Lava Rocks
- Other media available for purchase
- Pilot Lit Ignition (available for upgrade to Electronic Ignition - please contact for further information)
- Weight: 450 lbs.
- Overhead clearance: None + 36" horizontally to combustibles.
- Not compatible w/portable Propane Systems
- Low clearance model available



CHARCOAL CHOCOLATE PORTOBELLO HAZE



LONDON FOG MIST MOONLIGHT CHALK



CAPPUCCINO MOCHA

Min. and Max. Gas Inlet Pressures:

The installer is responsible for using the correct fuel lines and/or regulation to provide gas to the fire feature within the specified minimum and maximum gas inlet pressures.

Refer to installation manual for further information

Gas Inlet Pressures

Match Light	Minimum	Maximum
Natural Gas	7.0" W.C. (1.7436 Kpa)	10.0" W.C. (2.4884 Kpa)
Liquid Propane	11.0" W.C. (2.7399 Kpa)	13.0" W.C. (3.2381 Kpa)



DreamCast
Design & Production

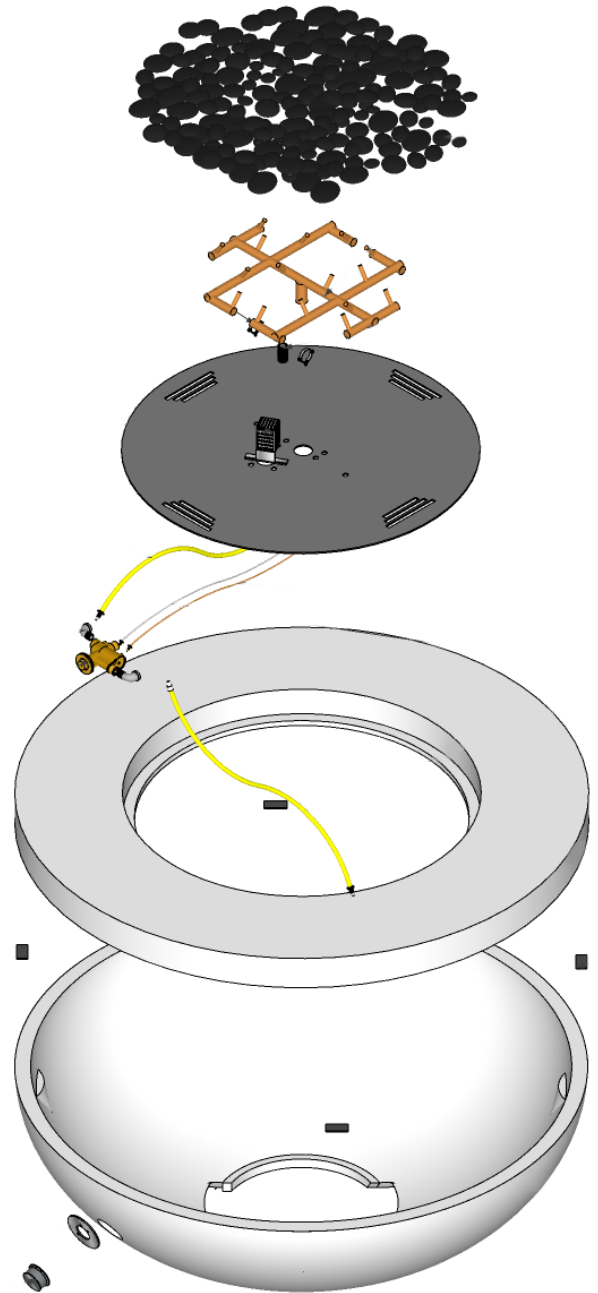
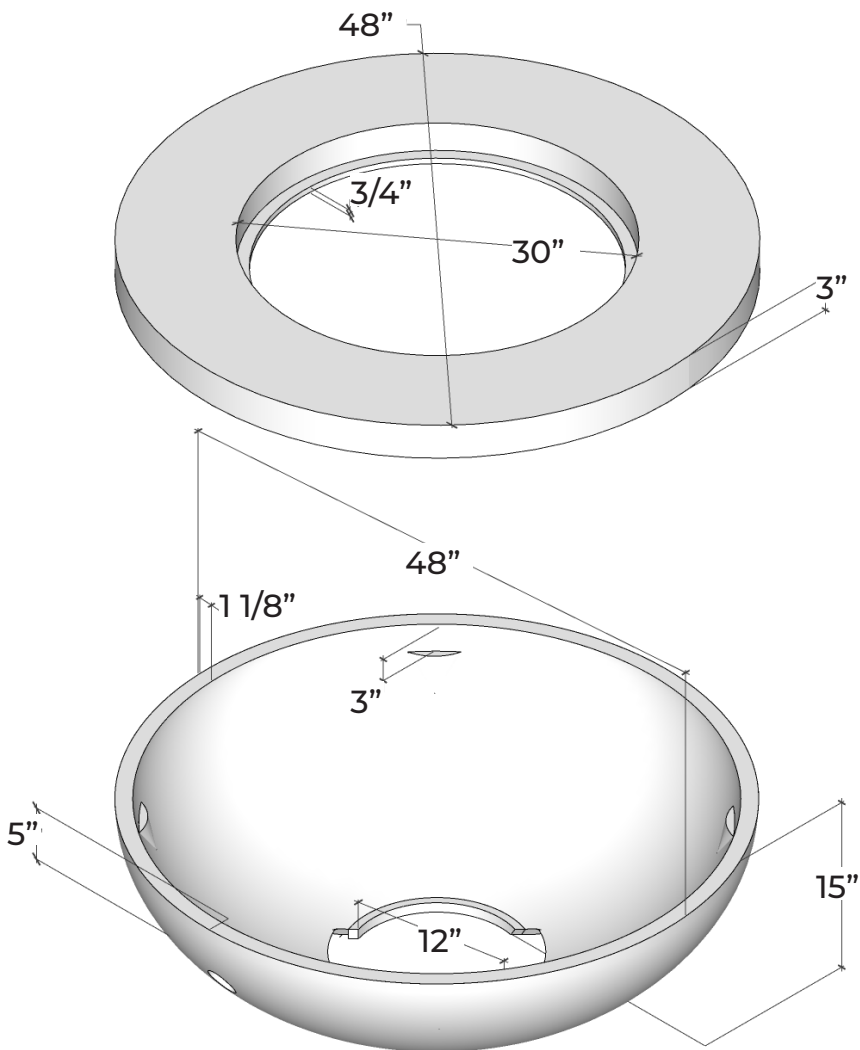
Please contact us at **1-604-278-4939** with any questions. We also encourage you to explore our website at www.dreamcastdesign.com

Our experienced team can assist you with product information, installation and design recommendations.

DreamCast

Aura 48

Warm up your days with this versatile aura fire bowl. Complete with an 9" rim for greater functionality this stunning fire bowl adds warmth and ambience to any outdoor space. Warm up your days with this versatile aura fire bowl. Complete with an 9" rim for greater functionality this stunning fire bowl adds warmth and ambience to any outdoor space.



DreamCast
Design & Production

Please contact us at **1-604-278-4939** with any questions. We also encourage you to explore our website at www.dreamcastdesign.com

Our experienced team can assist you with product information, installation and design recommendations.