

# DreamCast Lotus 45

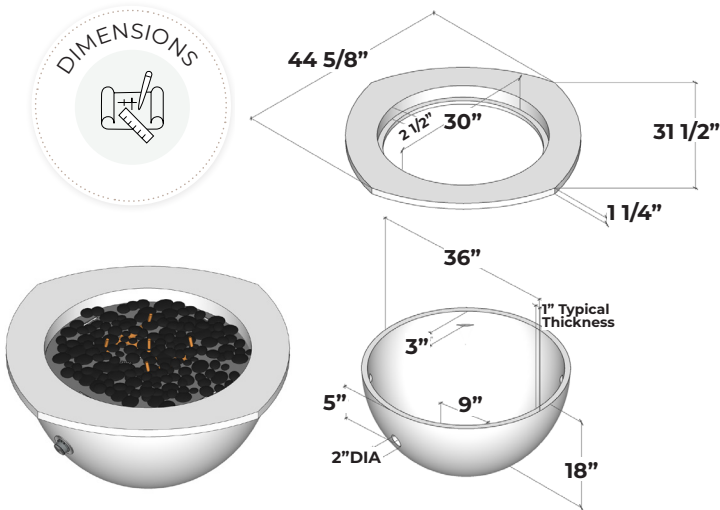
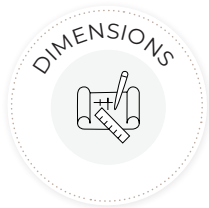
## MAXIMUM IMPACT

Warm up those chilly nights with this modern rounded fire bowl. Simplicity at it's finest. Each fire bowl is complete with a 6" sculpted rim for greater functionality.



### Product Features/ Specifications:

- 85K BTU - 165K BTU (Depending on model)
- Liquid Propane and Natural Gas
- Complimentary Lava Rocks
- Other media available for purchase
- Pilot Lit Ignition (available for upgrade to Electronic Ignition - please contact for further information)
- Weight: 305 lbs.
- Overhead clearance: None + 36" horizontally to combustibles.
- Not compatible w/portable Propane Systems
- Low clearance model available



### Min. and Max. Gas Inlet Pressures:

The installer is responsible for using the correct fuel lines and/or regulation to provide gas to the fire feature within the specified minimum and maximum gas inlet pressures.

*Refer to installation manual for further information*

### Gas Inlet Pressures

Match Light	Minimum	Maximum
Natural Gas	7.0" W.C. (1.7436 Kpa)	10.0" W.C. (2.4884 Kpa)
Liquid Propane	11.0" W.C. (2.7399 Kpa)	13.0" W.C. (3.2381 Kpa)



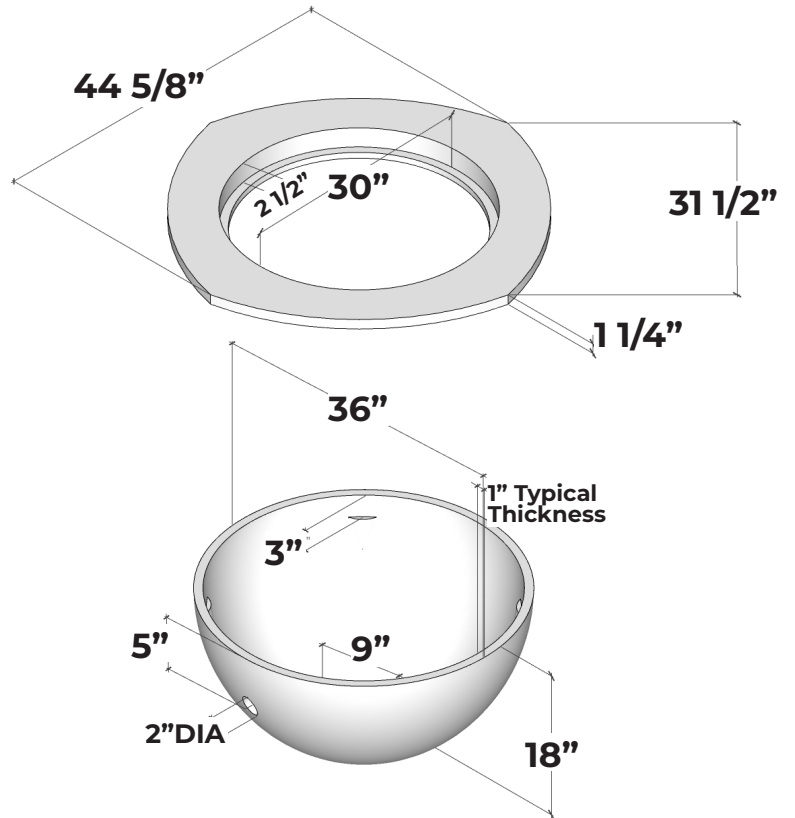
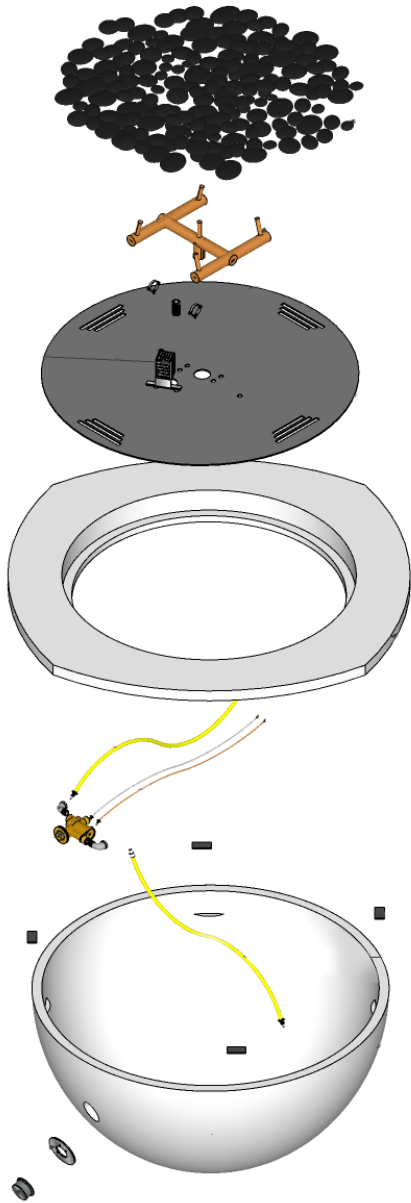
**DreamCast**  
Design & Production

Please contact us at **1-604-278-4939** with any questions. We also encourage you to explore our website at [www.dreamcastdesign.com](http://www.dreamcastdesign.com)

Our experienced team can assist you with product information, installation and design recommendations.

# Lotus 45

# DreamCast



Simplicity at its finest is found with the Lotus45.

The petal shaped rim draws function to the modern bowl design and enables maximum use of space.

**DreamCast**  
Design & Production

Please contact us at [1-604-278-4939](tel:1-604-278-4939) with any questions. We also encourage you to explore our website at [www.dreamcastdesign.com](http://www.dreamcastdesign.com)

Our experienced team can assist you with product information, installation and design recommendations.