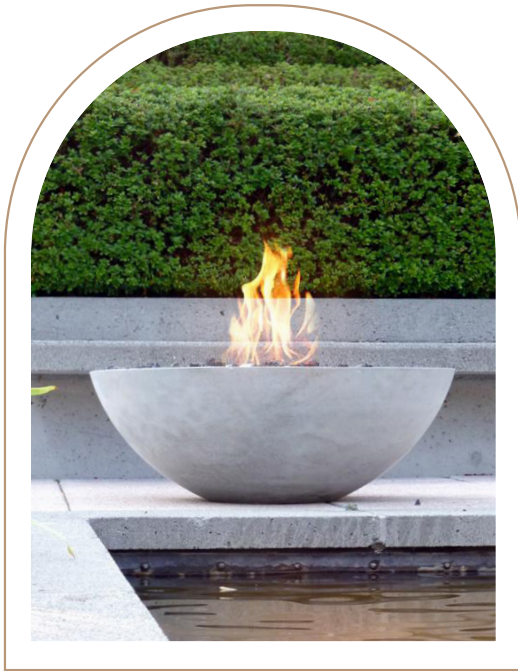


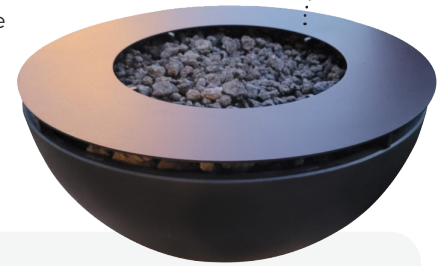
# DreamCast Zen 34



## MODERN RELAXATION

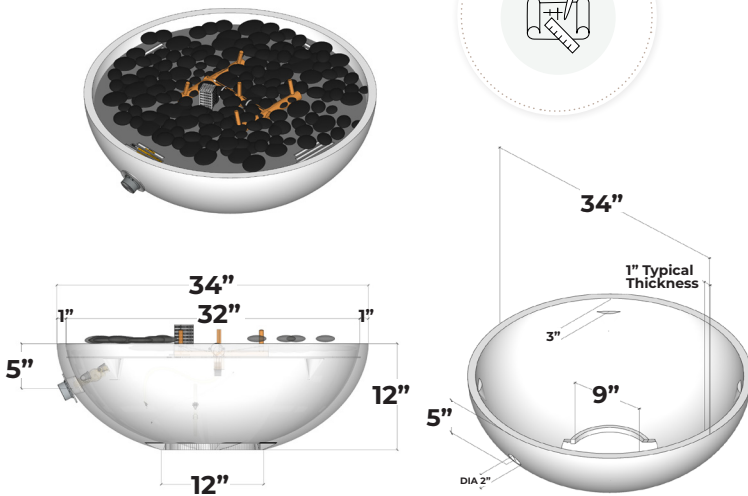
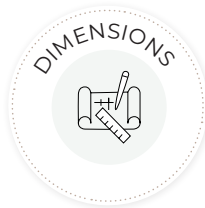
Relax around this minimalist firebowl. This fire pit is the perfect addition to modern landscapes creating an instant intimate gathering space. The clean modern curve of this low profile fire bowl offers a timeless appeal to any outdoor design.

Metal table top has removable centerpiece



### Product Features/ Specifications:

- 110K BTU-165K BTU
- Liquid Propane or Natural Gas
- Complimentary Lava Rocks
- Other media available for purchase
- Pilot Lit Ignition (available for upgrade to Electronic Ignition - please contact for further information)
- Weight: 110 lbs.
- Overhead clearance: None + 36" horizontally to combustibles.
- Not compatible w/portable Propane Systems
- Low clearance model available



### Min. and Max. Gas Inlet Pressures:

The installer is responsible for using the correct fuel lines and/or regulation to provide gas to the fire feature within the specified minimum and maximum gas inlet pressures.

Refer to installation manual for further information

### Gas Inlet Pressures

Match Light	Minimum	Maximum
Natural Gas	7.0" W.C. (1.7436 Kpa)	10.0" W.C. (2.4884 Kpa)
Liquid Propane	11.0" W.C. (2.7399 Kpa)	13.0" W.C. (3.2381 Kpa)



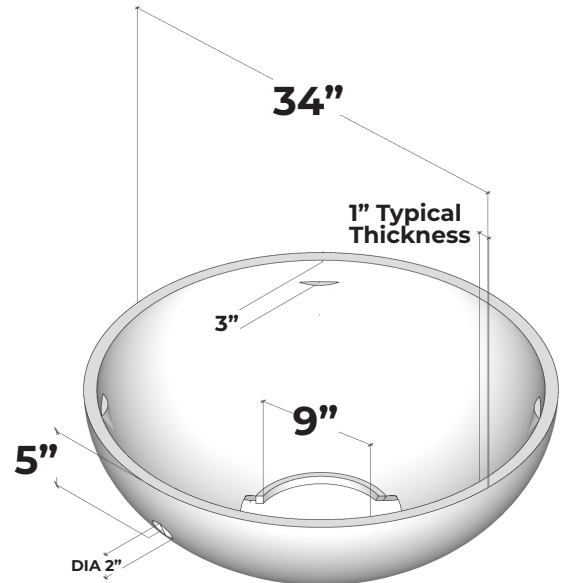
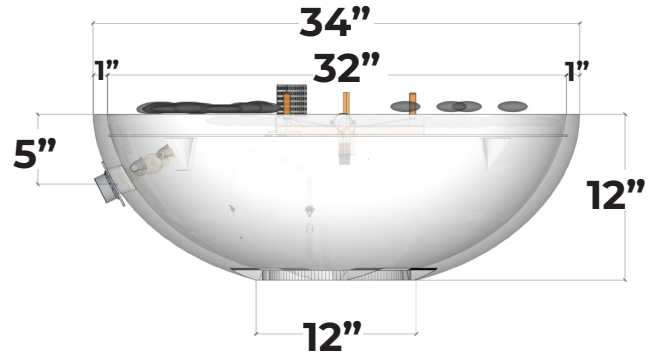
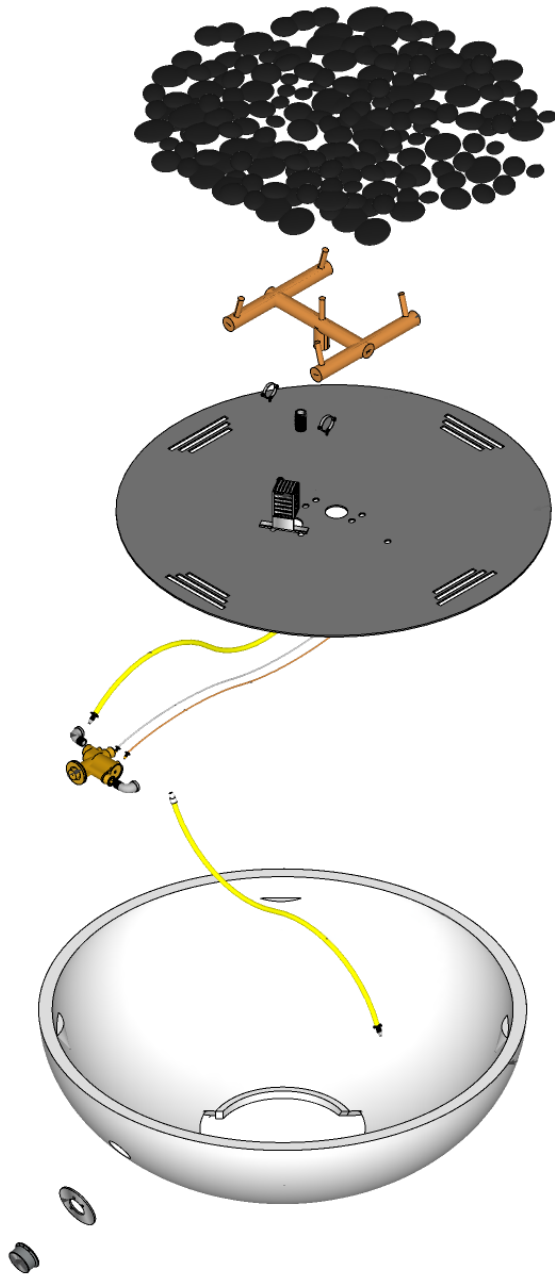
**DreamCast**  
Design & Production

Please contact us at **1-604-278-4939** with any questions. We also encourage you to explore our website at [www.dreamcastdesign.com](http://www.dreamcastdesign.com)

Our experienced team can assist you with product information, installation and design recommendations.

# Zen 34

# DreamCast



The bold Zen 34 fire bowl is the centerpiece for any occasion. The effortless profile and stunning flame offers instant spectacle and warmth

**DreamCast**  
Design & Production

Please contact us at **1-604-278-4939** with any questions. We also encourage you to explore our website at **[www.dreamcastdesign.com](http://www.dreamcastdesign.com)**

Our experienced team can assist you with product information, installation and design recommendations.